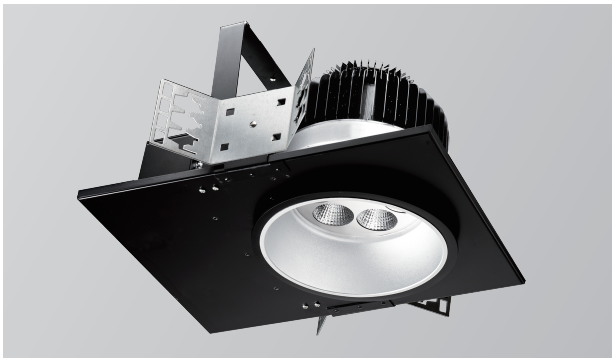


ADVANCED HIGH CEILING
8" REV Series



8-inch aperture high lumen recessed downlight with lumen output 7290 – 12905lm.



Quantity		Type	
Project		Note	

Electrical System

- 8371lm (95W)
- 10685lm (125W)
- 12905lm (145W)
- Power Input: 120V or 277V
- Operating Temperature: -40°F~112°F
- Surge Protection: 4KV
- Emergency Pack with Mounting Plate: Bodine BSL20LV

LED Technology

- 2700K, 3000K, 3500K, 4000K
- 85 CRI, 93 CRI
- Beam Angle: 20°, 35°, 50°, 100° (with diffuser)
- Rated Life > 60,000 hours (L70)

Advanced Dimming

(Proprietary VX Driver is incorporated to all dimming options for video flicker-free lighting)

- **DMX:** high resolution 4,096 steps dims to <0.1%
- **Superior 0-10V:** dims to less than 1%
- **TRIAC:** Line-voltage phase control, dims to 1% **(120V only)**
- **3-wire:** LUTRON Hi Lume 3-wire, dims to 1%
- **ECOsistem:** LUTRON Hi Lume ECOsistem, dims to 1 %

Housing

- Non-IC Rated, insulation must be kept > 1ft from housing.
- Aperture: 8.1" (207mm)
- Trim Size: 8.46" (214mm)
- Ceiling Cutout: 8.25" (210mm)
- Maximum ceiling thickness: 1.5" (38mm)
- Light engine, optics, and driver(s) accessible from below ceiling
- Weight: 17.63lbs

Note: C-Channel / Mounting Channels / T-Bar Hangers are purchased from a third party.

Warranty

- 5 years limited warranty.

Listing

- ETL Listed



ADVANCED HIGH CEILING
8" REV Series



How To Specify:

Ordering Example: RS8-125-308-120-SPV-20-SSR

4-5 weeks lead time on over 75% of specifications.

Model	Wattage	CCT / CRI	Voltage	Dimming
RS8				
RS8 REV 8 inch	95 95W 125 125W 145 145W	278 2700K / CRI85 308 3000K / CRI85 358 3500K / CRI85 408 4000K / CRI85 279 2700K / CRI93 309 3000K / CRI93	120 120V 277 277V	NOD Non-Dimming SPV Superior 0-10V <1% DMX DMX <0.1% (XLR Sockets) DMX(RJ45) DMX <0.1% (RJ45 Sockets) TRC TRIAC <1% (120V ONLY) ECO LUTRON ECOsystem <1% 3WIR LUTRON 3-wire <1%

Beam Angle	Finish	Accessories
20 20° 35 35° 50 50° WD* 100° (with diffuser)	BLK Black WHT White SSR Semi-Specular	SPD¹ Surge Protector EMP Remote Emergency Pack DF² Diffuser SCA810 Sloped Ceiling Adapter 8°-12° SCA815 Sloped Ceiling Adapter 13°-17° SCA820 Sloped Ceiling Adapter 18°-22° SCA825 Sloped Ceiling Adapter 23°-27°

¹ Surge protector for up to 10KV. Applicable for unstable mains or facilities using high power machineries.
² Please factor in change in lumen output with diffuser (-20% with 100°; -12% with other degrees).

ADVANCED HIGH CEILING
8" REV Series



Delivered Lumens*

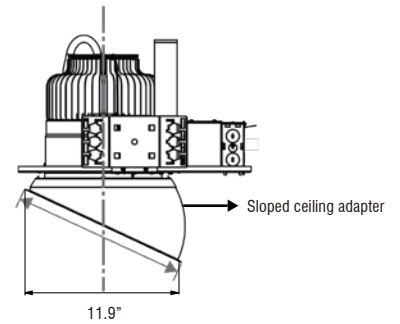
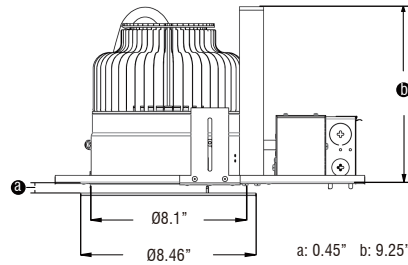
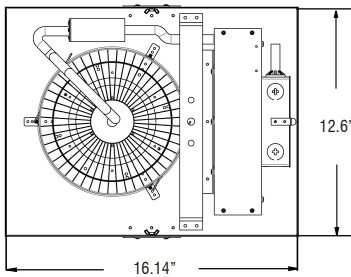
Wattage \ CCT	95W	125W	145W
	Beam Angle: 20°		
4000K	8371lm	10685 lm	12905 lm
3500K	8229 lm	10478 lm	12660 lm
3000K	7959 lm	10156 lm	12285 lm
2700K	7290 lm	9324 lm	11305 lm

*Tolerance ±8%

Current Consumption

Wattage \ Volt	120V	277V
95W	0.87A	0.38A
125W	1.15A	0.49A
145W	1.33A	0.58A

Dimensions

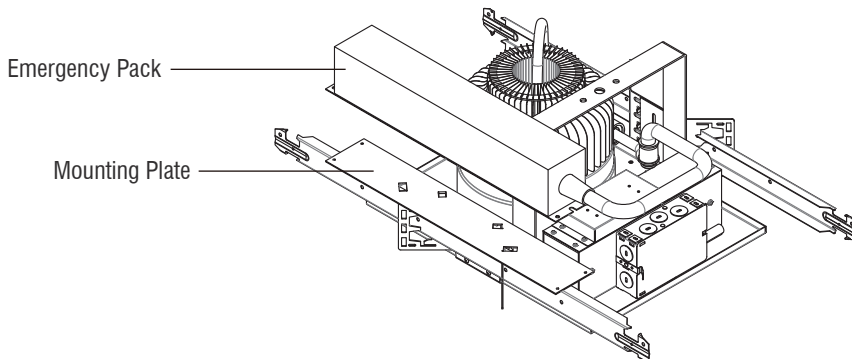


Ceiling opening: 11.6"

Cut 11.6" opening in ceiling for sloped ceiling adapter (same center as fixture frame opening)

Mounting Plate for Emergency Pack

Emergency Pack Lumen Output Table



CCT	2700K	3000K	4000K	5000K
Lumen	1640 lm	1760 lm	1890 lm	1950 lm

ADVANCED HIGH CEILING
8" REV Series



DMX Requirements

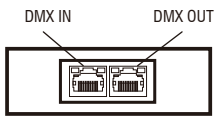
The 8" REV LED fixture with DMX is a **ONE CHANNEL DMX unit**.

When placing order, please indicate DMX address. (The DMX address will be listed on the back of the fixture.)

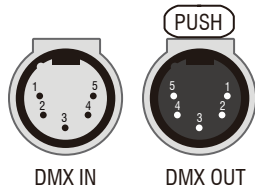
The LED fixture provide RJ45 Socket or XLR socket to connect. (DMX cable NOT included.)

The final fixture should be terminated by the use of DMX Terminator (by others).

RJ45 Sockets



XLR Sockets



CONNECTION	RJ45 (CAT5e)	5-PIN XLR
Common	WHITE/BROWN(PIN7) & BROWN(PIN 8)	PIN 1
Signal -	ORANGE(PIN 2)	PIN 2
Signal +	WHITE/ORANGE(PIN 1)	PIN 3
Spare	-	PIN 4
Spare	-	PIN 5

Compatible TRIAC Dimmer List

LUTRON PART NO.

MRF2-6ND-120	HQRD-6NA	RRD-10ND	SZ-6ND
RRD-6NA	HQRD-6ND	HQRD-10ND	-